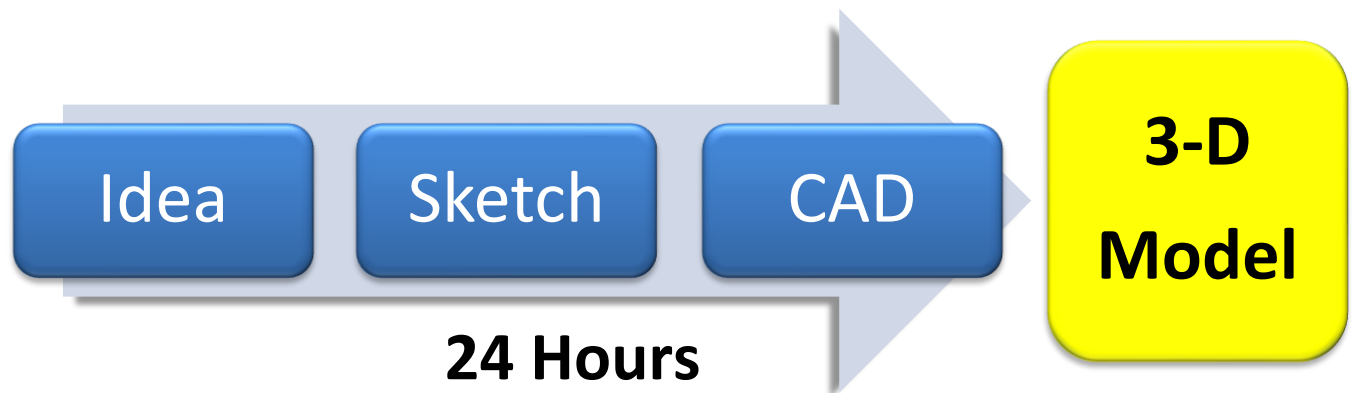
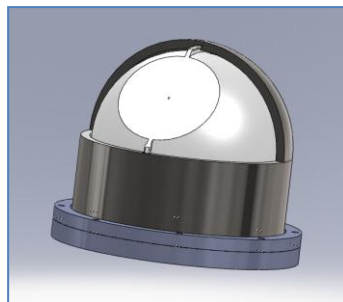


3-D Printing – Fast and Cost Effective

From idea to physical component in 24 hours is possible with 3-D printing capability offered by SelectTech GeoSpatial. This new, rapid prototyping capability is a part of a suite of disruptive technologies available that will enhance the delivery of physical solutions for complex, need-it-right-now services.



Complex / compound functional models are produced in durable ABS plastic in a choice of colors. Components to entire systems can be manufactured already assembled and ready for use. Design iterations can be completed in a very short period of time leading to a final component design or finished product. Models can be made in near-net-shape allowing parts to snap together or work dynamically to demonstrate operational effectiveness.



Idea to finished Model in less than 24 Hours
(Sensor Gimbal Assembly)

Dimensional capabilities smaller than ½ cubic inch up to 55 cubic inches are available. Larger models can be produced by assembling smaller details.

For additional information, or a service quotation, please contact us at: engineering@sgamf.com

“SelectTech GeoSpatial – Partners in Innovation”